

WEKSLER® HVAC/Contractor Gauge

MODEL EA14



EA142M

STANDARD FEATURES

- 4½" corrosion resistant stainless steel case and ring, plastic window.
- Accuracy is 1% full scale.
- Balanced adjustable black pointer, adjust screw in face of instrument.
- Soft soldered phosphor bronze tube with brass socket. Suitable for steam, water, air, oil, gas or any medium not corrosive to copper alloys.
- Phosphor bronze movement.
- White dial with bold black graduations and figures.
- ¼ NPT bottom connection only.



EA14MA



EA14MB



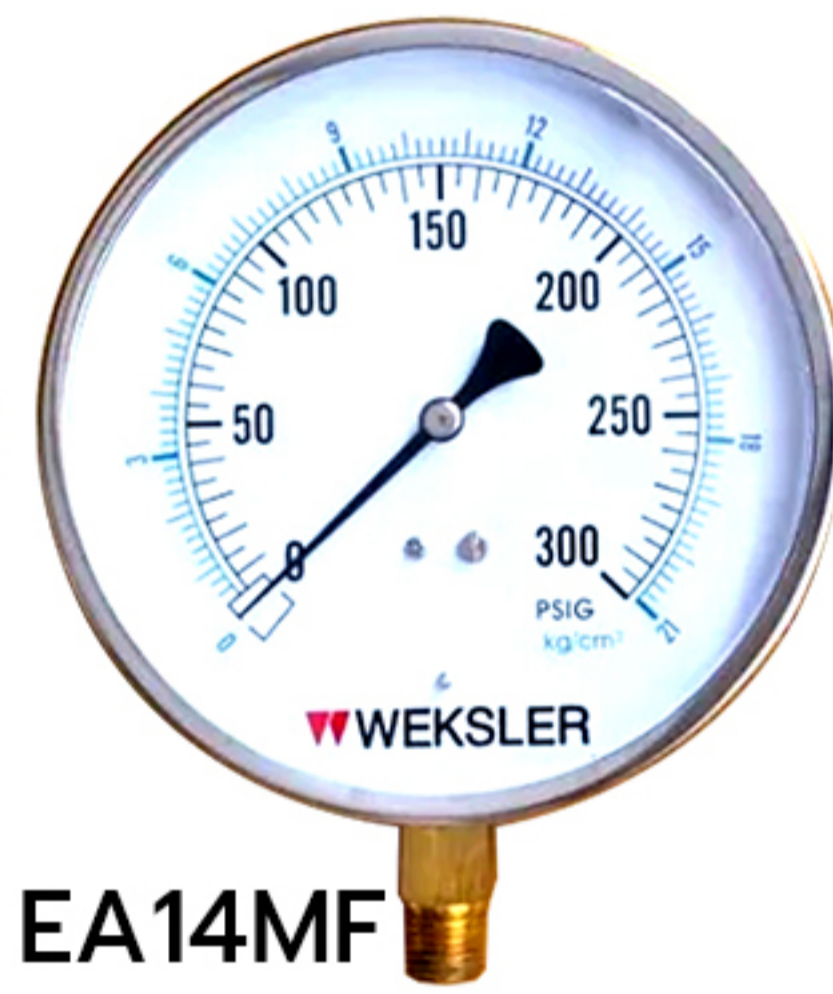
EA14MC



EA14MD



EA14ME

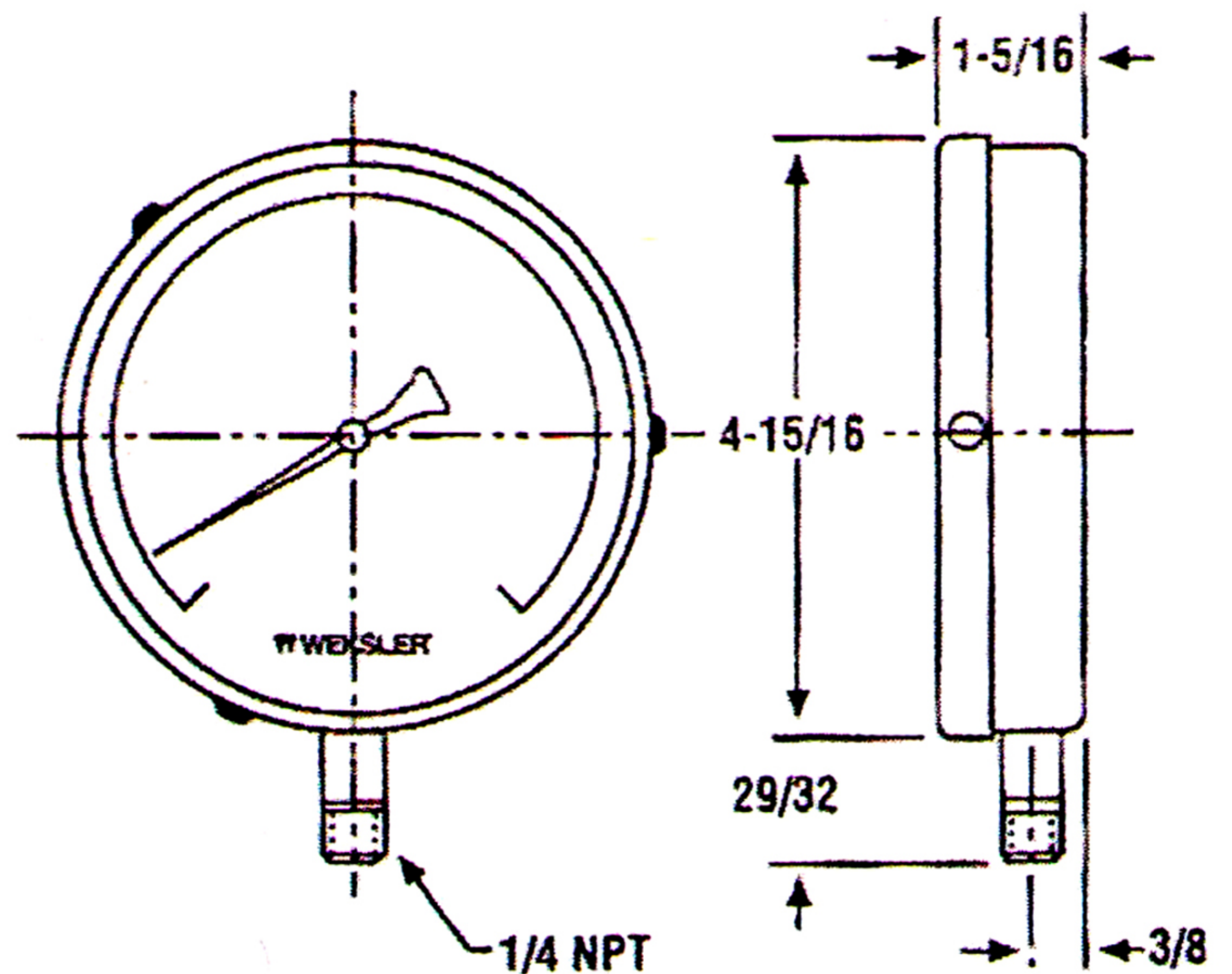


EA14MF



EA14MG

DIMENSIONS



PRESSURE RANGES

CATALOG NO	DIAL RANGES	FIGURE INTERVALS	SMALLEST GRADUATION
EA142M	0-15 psi/kg/cm ²	1 psi	.25 psi
EA14MA	0-30 psi/kg/cm ²	5 psi	.50 psi
EA14MB	0-60 psi/kg/cm ²	10 psi	1 psi
EA14MC	0-100 psi/kg/cm ²	10 psi	1 psi
EA14MD	0-160 psi/kg/cm ²	20 psi	2 psi
EA14ME	0-200 psi/kg/cm ²	20 psi	2 psi
EA14MF	0-300 psi/kg/cm ²	50 psi	5 psi
EA14MG	0-500 psi/kg/cm ²	50 psi	5 psi